

NAVIGATE THE CATALOG BY SECTION

1 2 3 4 5 6 7 8 9 10 11 12 13 14 15 16 17 18 19 20 21 22

 LAPP ONLINE CATALOG

SKINTOP® Strain Relief Cord Connectors

SKINTOP® SLM/SLRM

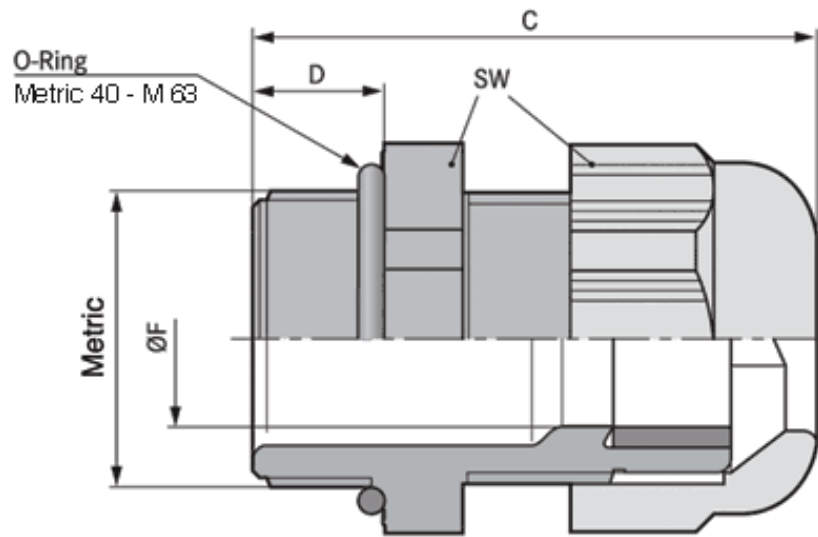
Liquid Tight, Non-Metallic Strain Relief Cable Gland with Metric Threads



SKINTOP® SLM/SLRM is a durable, liquid tight, easy to assemble strain relief cable gland with Metric threads that is universally suited for all types of machinery & equipment, including automation, motion control, process control and robotics.

Application Advantage:

- The heavy duty SKINTOP™ design provides great pullout strength and very reliable strain relief
- Superior integrated locking mechanism includes an internal ratchet for vibration proof protection
- Multi-trapezoidal thread requires just one twist to tighten
- Generous high quality neoprene bushing provides a liquid tight and dust proof, hermetic seal
- Economical solution that covers a large clamping range with only 8 sizes



TECHNICAL DATA:

Materials:

Body:

Polyamide

Bushing:

CR

Locknuts:

Included

Color:

Black (RAL 9005) UV Resistant

Gray (RAL 7001)

Lt. Gray (RAL 7035) available upon request

Protection Seal:

70 PSI

IP 68, 5 Bar

Exceeds NEMA 6/6P Pressure rating

Temperature Range:

Static:

-40°C to +100°C

Flexing:

SLM:

-20°C to +100°C

SLRM:

-20°C to +80°C

Part Number	Thread Type	UL Status	Clamping Range ØF inches	SW Wrenching Flats inches	C Overall Length inches	D Thread Length inches	Standard Pack Size	Weight 100 pcs. lbs.
Metric Thread - Standard Type - Black								
S2507	M-12x1.5	R	.138 - .276	0.591	1.181	0.315	100	1.00
S2509	M-16x1.5	R	.177 - .394	0.748	1.339	0.315	100	1.50
S2513	M-20x1.5	L	.276 - .512	0.984	1.457	0.354	100	2.50
S2516	M-25x1.5	L	.354 - .669	1.181	1.575	0.394	50	3.50
S2521	M-32x1.5	L	.433 - .827	1.417	1.850	0.394	25	6.00
S2529	M-40x1.5	L	.748 - 1.102	1.811	2.047	0.394	10	10.50
S2536	M-50x1.5	L	1.063 - 1.378	2.165	2.441	0.472	5	17.50
S2542	M-63x1.5	L	1.339 - 1.772	2.598	2.795	0.472	5	25.50
Metric Thread - Standard Type - Gray								
S1507	M-12x1.5	R	.138 - .276	0.591	1.181	0.315	100	1.00
S1509	M-16x1.5	R	.177 - .394	0.748	1.339	0.315	100	1.50
S1513	M-20x1.5	L	.276 - .512	0.984	1.457	0.354	100	2.50
S1516	M-25x1.5	L	.354 - .669	1.181	1.575	0.394	50	3.50
S1521	M-32x1.5	L	.433 - .827	1.417	1.850	0.394	25	6.00
S1529	M-40x1.5	L	.748 - 1.102	1.811	2.047	0.394	10	10.50
S1536	M-50x1.5	L	1.063 - 1.378	2.165	2.441	0.472	5	17.50
S1542	M-63x1.5	L	1.339 - 1.772	2.598	2.795	0.472	5	25.50

UL Status: R = Recognized; L = Listed